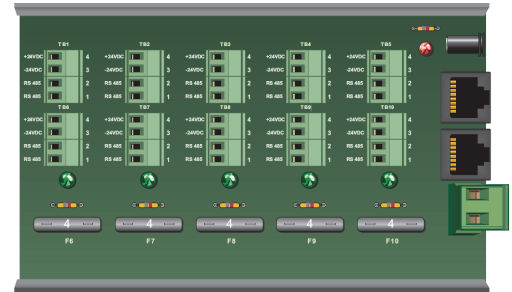


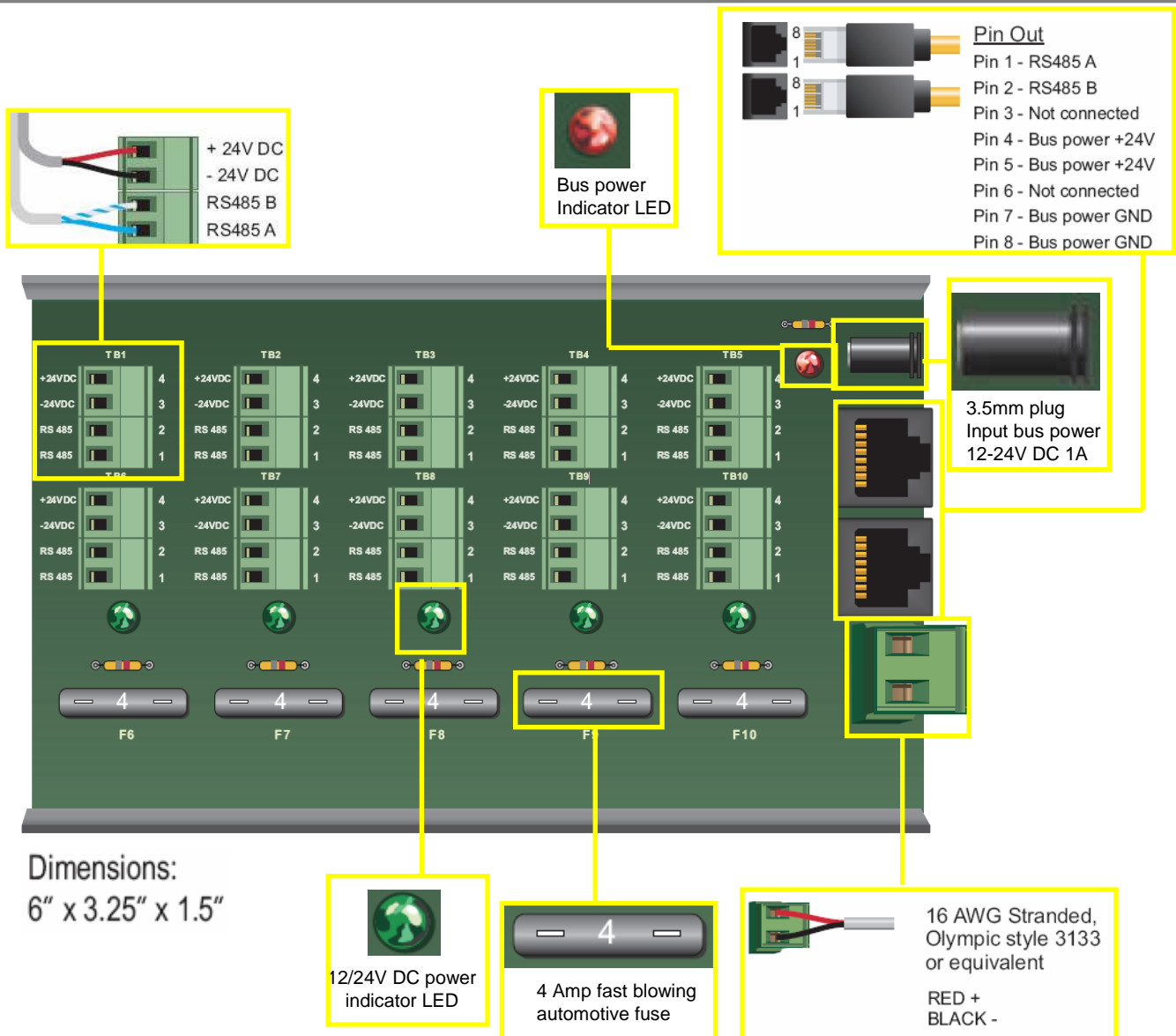
# 12/24V Power/Communication Distribution Panel

## Description

The Somfy power/communication distribution panel is used to distribute 12 or 24V DC power and RS485 serial communication to up to 10 Somfy low voltage motors. The panel includes mounting snaptrack and mating motor connectors.



**10 Motor (as shown) Part #: 1870194**  
**5 motor Part #: 1870193**



## Notes:

- Do not wire power supplies together (parallel). Example: wiring two (2) 5A transformers to try and get 10Amps.
- Connect one motor only to each of the motor connections on the board
- Replacement fuse should be a 4 AMP (2 A for 5 motor panel) ATO Fast blowing automotive fuse Part #: 257004 (or equivalent)

# 12/24V Power/Communication Distribution Panel

## Choosing the right power supply (per motor):

<u>12V DC Motor</u>	<u>Min. Power</u>	<u>Max Power</u>
LT30 Range	1A	1.5A
CT32 Range	1A	1.5A (<150ms)
Tilt Wirefree Range	1A	1.2A

<u>24V DC Motor</u>	<u>Min. Power</u>	<u>Max. Power</u>
Sonesse 30 Range	.9A	3.2A (<300ms)

## Recommended Power Supplies (or Equivalent):

### Plug-In Wall Mount Type

<u>Motor QTY:</u>	<u>Somfy Part#</u>	<u>Voltage</u>	<u>Amperage</u>
1 Motor	1822192	12V DC	1 A
1 Motor	1822209	24V DC	1.25A

### Plug-In Table/Shelf Type

<u>Motor QTY:</u>	<u>Somfy Part#</u>	<u>Voltage</u>	<u>Amperage</u>
5 Motor	1822119	24V DC	10A
10 Motor	1822123	24V DC	20A

### Wire Gauges (AWG):

14 AWG 200'  
16 AWG 150'  
18 AWG 100'

### Din Rail Mount Type

<u>Motor QTY:</u>	<u>Somfy Part #</u>	<u>Voltage</u>	<u>Amperage</u>
5 Motor	9014246	12V DC	10A
5 Motor	9011995	24V DC	10A
10 Motor	9014245	24V DC	20A

## Operation: For a complete summary of accessories please consult the Sonesse 30 Data Book.

- A Before connecting power, ensure that you have the proper transformer to power the motors.
- B Upon applying power to the panel, all 10 LED's should illuminate.
- C Connect one motor to the panel and program per the instruction that accompany the motor.
- D Repeat this process for every motor thereafter
- E Wire gauges (AWG) should be as follows (do not use wire less than 18 AWG). Somfy recommends Coleman model 97295 or equivalent on wire runs of 150'.

## Troubleshooting:

- If no LED's illuminate, check polarity input of the power supply and that AC voltage is properly applied
- If one or more LED's do not illuminate, check and replace the appropriate fuse.
- If the motor does not respond, reverse the leads on the motor connector.

<b>Somfy Systems, Inc</b>	<b>Somfy Florida</b>	<b>Somfy California</b>	<b>Somfy Canada</b>
<b>North America Headquarters</b> 121 Herrod Blvd Dayton, NJ 08810 (P) 800 227 6639 (F) 609 395 1776	6100 Broken Sound PKWY Northwest Suite 14 Boca Raton, FL 33487 (P) 877 227 6639 (F) 561 995 7502	15291 Barranca PKWY Irvine, CA 92618 (P) 877 227 6639 (F) 949 727 3775	6315 Shawson Drive Unit 1 Mississauga, Ontario L5T1J2 (P) 800 667 6639 (F) 905 564 2679