

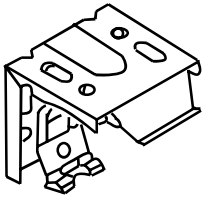
Installation Instructions

Motorized Shades

Cellaris™ Motorized Shades: Your honeycomb shade package contains brackets, clips & screws for mounting the shade as well as battery pack in any position on the window. The package should display a label that specifies the corresponding room name and window opening number as well as the mount option (inside/exact/outside).

Tools needed: Cordless drill with #2 Phillips drive attachments, level, standard flat head screwdriver, tape measure & pencil.

Parts included: Installation brackets, battery tube w/ AA batteries & installation screws.



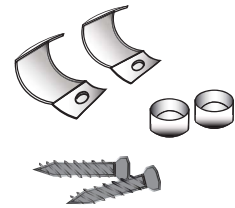
Installation bracket



Installation screws

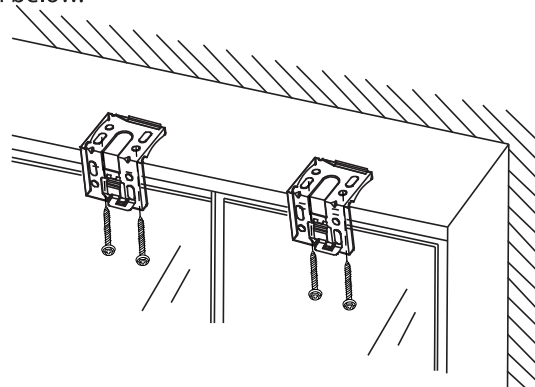
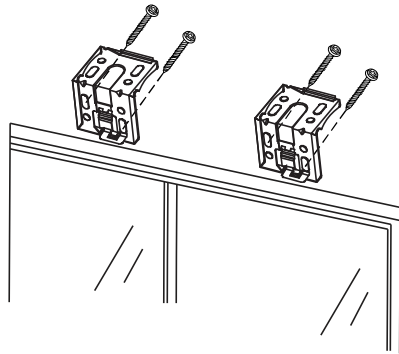


Battery Tube

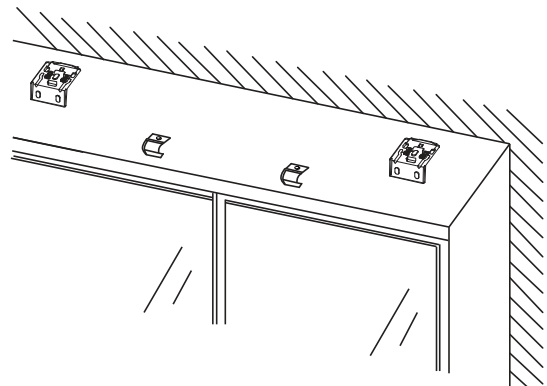
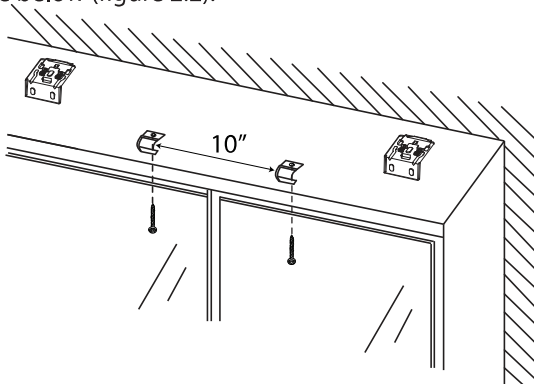


Battery Tube Clips & Screws

1 - Mount the brackets: Attach the brackets to the window frame moulding, wall or ceiling. Brackets are universal and can be installed in both positions as show in the illustration below.

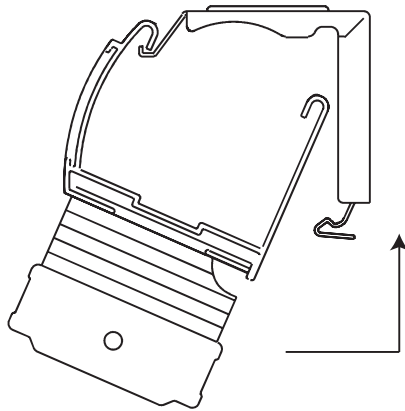


2 - Mount the battery tube: Secure the battery clips included in the package as shown below (figure 2.1). As the motor is installed in the middle of the shade, the battery tube also needs to be installed in the middle as well. Ensure that clips are approximately 10" apart and in a straight line from each other. Once installed, secure the battery tube as shown in the figure below (figure 2.2).

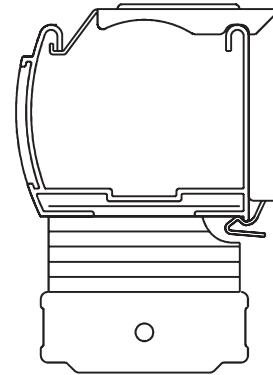
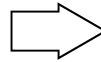


Installation Instructions

3 - Install the shade: Make sure the shade is stacked all the way up. Hook the front (curved) profile of the head rail to the front of the bracket (figure 3.1) and then tilt the back side firmly upwards until you hear a click (figure 3.2). The shade should now be locked firmly as shown in the illustration below.



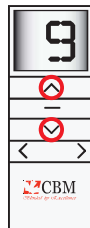
3.1 Hook front of the head rail



3.2 Tilt the back side upwards until it locks

4 - Connect the Motor: Connect the motor wire to the battery tube. The motor is normally pre-programmed to the channel provided at the time of purchase. Please consult with your CBM dealer for more details.

5 - Shade Operation: Press UP key to raise the shade to its upper limit. Press DOWN key to lower the shade to its lower limit. If the shade is configured to be a part of a group channel, change the channel by pressing LEFT or RIGHT arrows on the remote. Repeat the above steps to control the desired group of shades.



If the shade is not pre-programmed or to change limits, add/delete/modify group controls, please refer to programming instructions. CBM recommends using a qualified installer to perform these tasks.

CBM highly recommends using Lithium batteries in the battery tube.

Note: When installed for the first time, please drop the shade all the way down for at least 48 - 72 hours due to the nature of cellular fabric.

Cleaning: Cellaris™ shades can be cleaned or dusted with a feather duster, soft cloth or an appropriate vacuum suction attachment. Do not use cleaning liquids or detergents. Use of cleaning liquids or detergents will void your warranty.